

# TMH-6000/2 AIR HOIST



# RED ROOSTER LIFTING

## STANDARD FEATURES

- ▷ Toku rotary vane motor
- ▷ ATEX zone 2 specification
- ▷ Robust 3 step planetary gearbox
- ▷ Failsafe automatic internal disc brake
- ▷ Mechanical upper & lower switches
- ▷ Cast steel housing
- ▷ Internal silencing down to 80 dB(A)
- ▷ Alloy safety swivel hooks with safety catch
- ▷ Load chain 13 x 36mm of European manufacture to EN818-7
- ▷ Automatic load limiter

## AVAILABLE OPTIONS

- ▷ Marine specification
- ▷ Special paint systems
- ▷ Corrosion protection
- ▷ ATEX zone 1 specification
- ▷ Chain collectors (PVC, galvanised or stainless steel)
- ▷ Air Service units
- ▷ Festoon systems
- ▷ Radio control

MODEL	WLL	LIFTING SPEED WITH LOAD	LIFTING SPEED WITHOUT LOAD	LOWERING SPEED WITH LOAD	
TMH-6000/2	6000 kg	2.7 m/min	5.4 m/min	5.1 m/min	
	AIR CONSUMPTION LIFTING	AIR CONSUMPTION LOWERING	AIR CONNECTION	MINIMUM HOSE DIA.	AIR SERVICE
TMH-6000/2	56 l/sec	68 l/sec	1" BSP	3/4" HOSE	1" FLR
	CHAIN FALLS	WORKING PRESSURE	WEIGHT WITH 3M HOL	ADDITIONAL METRE HOL	
TMH-6000/2	2	4 - 6 bar	124 kg	7.6 kg	

C = CORD CONTROL PE = PENDANT  
Speeds at 6 bar

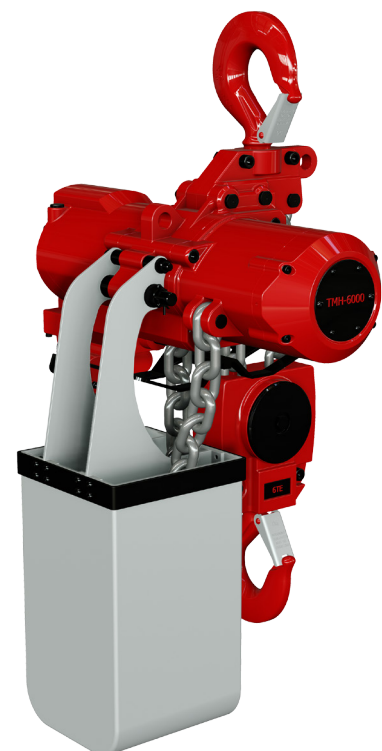
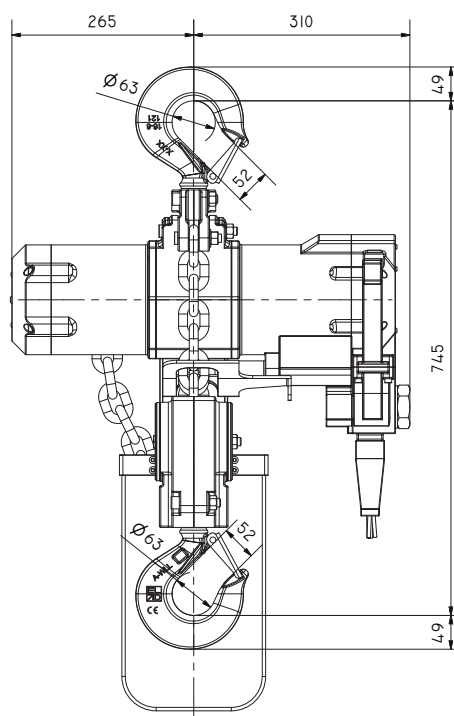
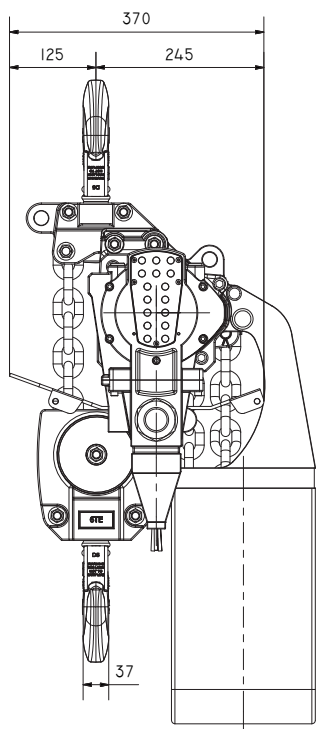


Image for illustration purposes only

All measurements are in mm  
Information subject to change without notice



**ATEX ZONE 2 AS STANDARD**

## RED ROOSTER LIFTING

Nauta House, The Meadows  
Oldmeldrum, Aberdeenshire  
United Kingdom, AB51 0EZ

T: +44 (0) 1651 872101  
E: sales@redroosterlifting.com  
W: www.redroosterlifting.com